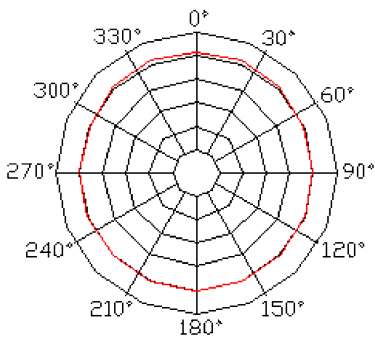


Microphone

BV 40

Element	Back electret condenser
Polar pattern	Omni - Directional
Frequency response	20 Hz - 20 KHz
Sensitivity	-46 dB ± 3 dB
Output Impedance	200 Ω ± 30% (at 1 KHz)
Power Supply	1.5-12V DC



Typical Frequency Response Curve

