

BRH 301

BRH-300 Robotic Head has been designed based on speed, precision and the weight of the camera which it can hold. Based on such parameters, it has been classified as a Head that can carry mid-size cameras and lenses with accurate motion control.

Features:

Compact and versatile design of BRH-301 makes it perfect for 360 degree rotations on all types of cranes, dollies, tripods and ceiling mounts inside studios

Compatibility:

Due to its adjustable arms, BRH-301 can be used for shooting videos and images with various types of cameras and lenses either remotely or with cable control

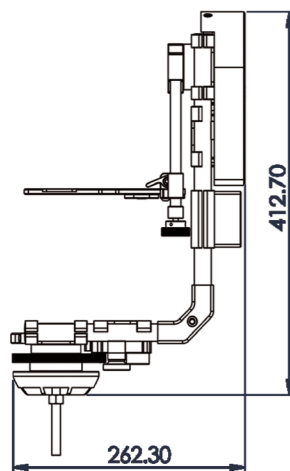
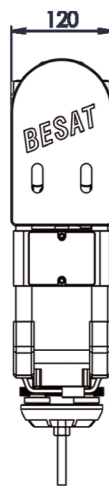
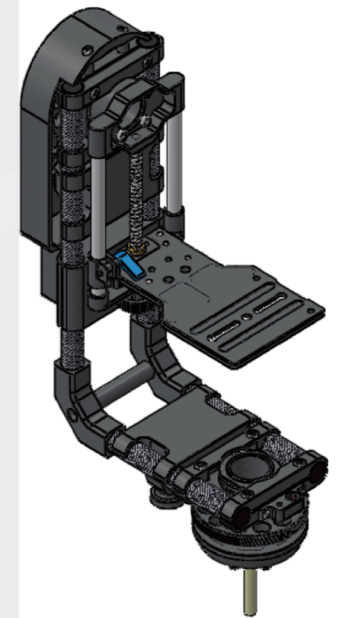
- Remote capturing of images and pictures
- Complete control of four Heads and four cameras remotely with only one control unit
- High quality image and picture recording Simple and easy operation
- Maximum payload of 8 Kg
- Quick installation and operation
- Technical Specifications

Advantages:

- Accurate performance of the commands by the mechanical gearbox without any vibrations
- Optimum flexibility in motion of the system via two integrated internal motors
- Automatic finding of the main system position
- Designed for shooting in HD and 4K applications

Specification

Power	110-220v AC Power Supply
Current Consumption	0.3 Amps typical stationary 2 Amps typical accelerating
Mximum Motor Power	2.5w
Weight	3Kg
Mximum Camera Weight	8Kg
Torque	47Nm
Speads	360 angles in 3 sec
Control Protocol	Serial



Control:

BRH-301 can be programmed and controlled via a remote control or a personal computer

