

BRH 300

BRH-300 Robotic Head has been designed based on speed, precision and the weight of the camera which it can hold. Based on such parameters, it has been classified as a Head that can carry large cameras and lenses with accurate motion control.

Features:

Compact and versatile design of BRH-300 makes it perfect for 360 degree rotations on all types of cranes, dollies, tripods and ceiling mounts inside studios

Compatibility:

Due to its adjustable arms, BRH-300 can be used for shooting videos and images with various types of cameras and lenses either remotely or with cable control

Accessories:

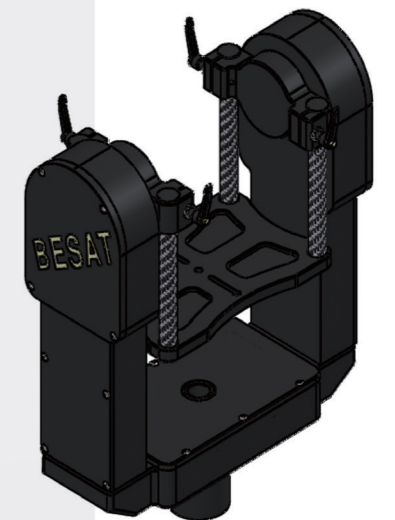
- Remote capturing of images and pictures
- Complete control of the Head and camera remotely
- High quality image and picture recording
- Simple and easy operation
- Maximum payload of 18 Kg
- Capable of using any type of camera and lens with no limitations

Advantages:

- Accurate performance of the commands by the mechanical gearbox without any vibrations
- Optimum flexibility in motion of the system via two integrated internal motors
- Automatic finding of the main system position
- Designed for shooting in HD and 4K applications

Specification

Power	24v Power Supply
Current Consumption	0.5 Amps typical stationary 3 Amps typical accelerating
Mximum Motor Power	126w
Weight	18Kg
Mximum Camera Weight	25Kg
Torque	47Nm
Speads	360 angles in 3 sec
Control Protocol	Serial



Control:
BRH-301 can be programmed and controlled via a remote control or a personal computer

