



LSL-90P

This LED projector is designed for both studio and portable applications. TV studios, exhibition venues, museums, amphitheaters and other indoor sites are the main users of this product.

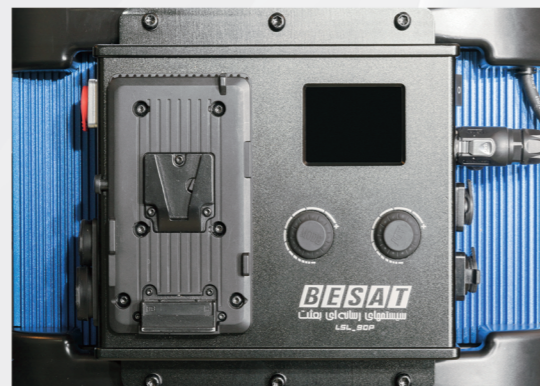
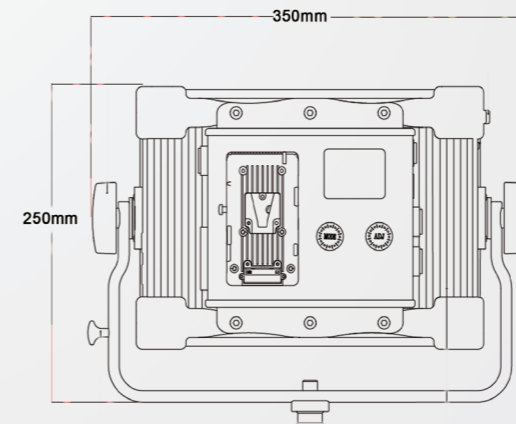
Features :

- Precise control of light intensity from 1 to 100%
- Adjustable color from 3000 to 6000 K
- High efficiency with 30 degrees light emission
- Power supply from V-mount batteries, AC power or Adapter

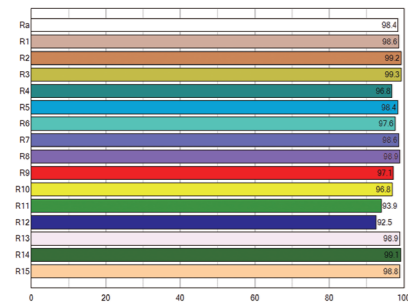
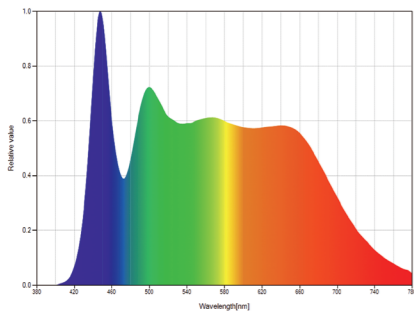


Specification

Input AC Voltage	100-240V 50/60Hz
DC Output	15V
Power Consumption	90W
Color Rendering Index	96
Television Lighting Consistency Index	97
Color Temperature	3000°K ~ 6000°K
Beam Angle	120°
Dimmer	0-100% linearly adjustable
DMX Channel	2CH
LED Life Time	over 50,000 hours
Environment Temperature	-30°C-40°C
Weight	7.7Kgs



6000k



3000k

