



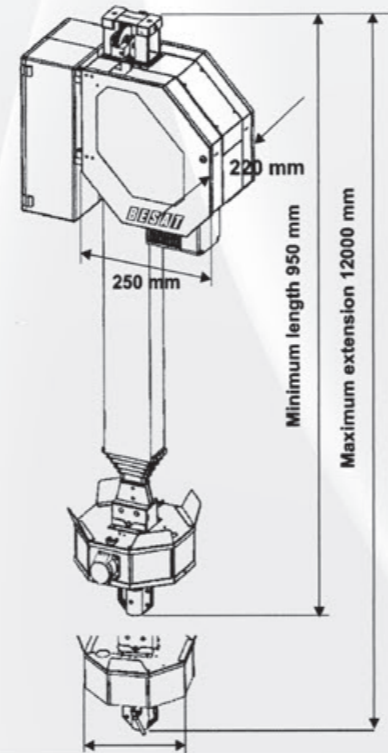
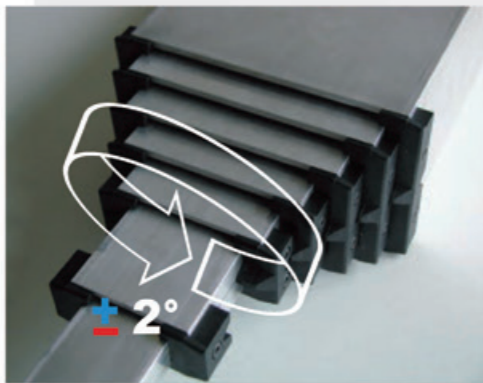
Model : MOT-700-1200

In studios with height of the ceiling varying from 7.5 to 12 meters, studio telescopes are an efficient solution for precise positioning of lighting, audio and video equipment. Due to their light weight compared to other products, these telescopes exert much less force and minimal structural stress on the ceiling and the structure beams.

MOT-700-1200 is made from special light weight aluminum extrude alloy, and it is strong and resilient against physical tensions. The finishing paint is of high quality and stable powder coating.

Features

- Compact size in folded position
- Motorized vertical movement with dynamically self-locking drive.
- Manual and motorized (optional) horizontal movement
- Customized final extension length as per request
- Minimum radial deviation of less than +/- 2 degrees
- Magnetic and electrical sensors assure operational safety
- Configurable as per requirements of the lighting engineer
- Instant activation of memory and chase feature



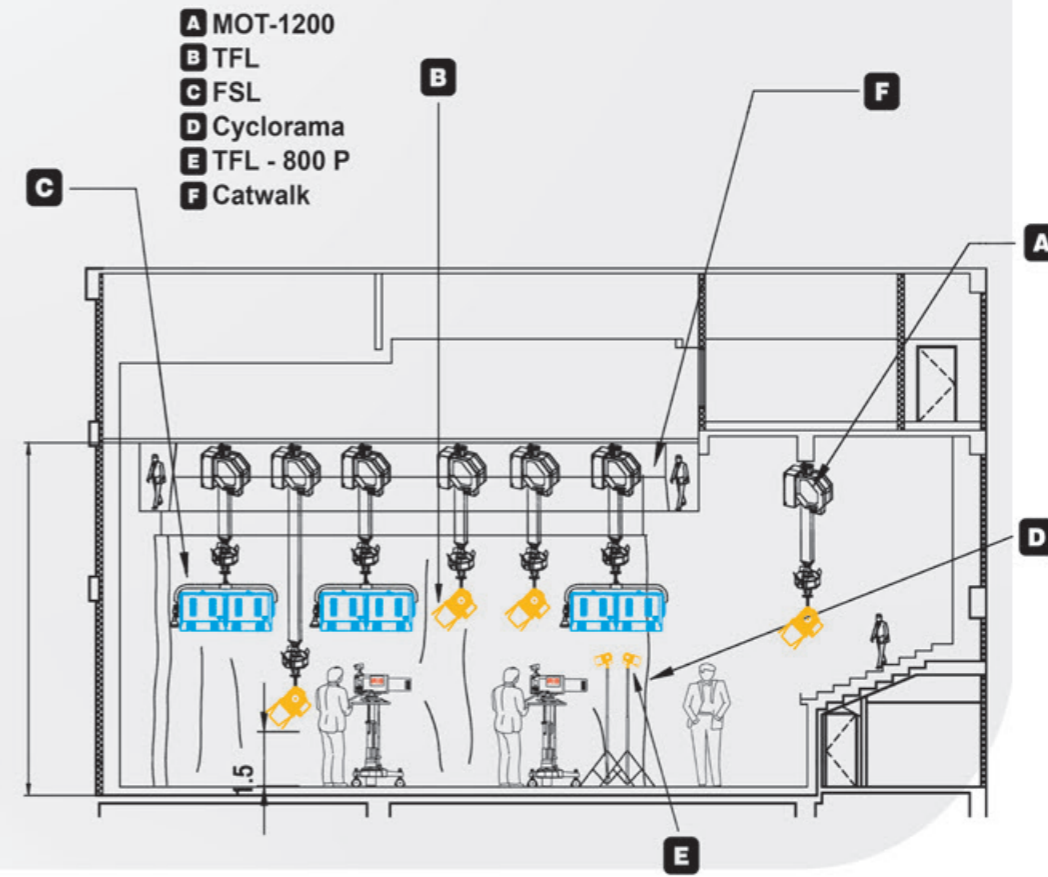
Cable basket 440mm

Specification

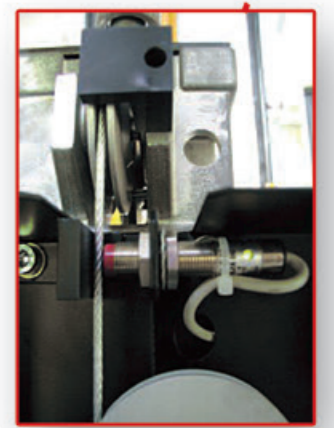
Weight:	45 Kg
Load capacity MOT-700:	60 Kg
Load capacity MOT-1200:	50 Kg
Supporting cable diameter:	ø 2.8 mm
Footprint of external tube:	120x68 mm
Lifting speed:	135 mm/s
Length in folded position:	950 mm
Diameter of base:	29 mm
Motor:	3x230v/400v;50 Hz;0.4 KVA



Sample Studio :25 x 25 m



- A MOT-1200
- B TFL
- C FSL
- D Cyclorama
- E TFL - 800 P
- F Catwalk



15

حسگر مغناطیسی کابل